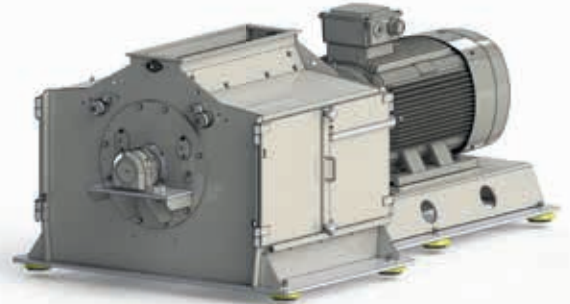


HAMMER MILL – WIDE CHAMBER MILL SERIES W

WIDE CHAMBER HAMMER MILL FOR THE RELIABLE GRINDING OF WET AND DRY WOOD CHIPS

The Hammer Mill series W is specially designed for grinding moist and wet wood with more distance between the side wall and screen. This mill grinds chopped soft and hard wood with a feed size up to standard G50 wood chips, and a water content up to 60%, in one step to a fineness required for wood pellets.

The W series consists of four sizes with a drive-power range between 75 and 250 kW.



TECHNICAL DETAILS

- Strong welded-steel construction with symmetric design, allowing rotation in both directions
- Strong wear-resistant parts protect the grinding chamber and are easy to maintain
- Two position inlet flap with proximity switches to change direction of rotation
- Large hardened impact plates at both sides of the mill inlet area to ensure best grinding performance
- Catch-trap for foreign bodies inside the grinding chamber to protect the screens
- Dynamically balanced long-life rotor in special design equipped with 6 mm beaters
- Quick beater change by using our special Beater Quick-Change Device
- Wide opening doors allow easy access to the grinding chamber
- Two screens that can be easily and individually changed
- Tested and certified in shock-resistant and flame escape proof design up to 0.4 bar
- Grist spectrum can be varied by a frequency converter (FC) and the beater configuration

Tietjen wide chamber mills prove their worth operating 24 hours a day, 7 days a week – often in the harshest of environments. The reliability of our machines is legendary.

Mill Type	W 400 C	W 700 C	W 1000 C	W 1200 C			
Grinding chamber diameter	680 mm	680 mm	680 mm	680 mm			
Screen width	400 mm	760 mm	1000 mm	1250 mm			
Grinding chamber area	0.6 m ²	1.1 m ²	1.5 m ²	1.8 m ²			
Dimensions and Weights							
Length* (approx.)	2250 mm	2710 mm	2950 mm	3150 mm			
Width (approx.)	1665 mm	1665 mm	1665 mm	1665 mm			
Height (approx.)	1150 mm	1150 mm	1150 mm	1150 mm			
Weight without motor	1550 kg	1700 kg	1950 kg	2250 kg			
* depending on motor size							
Drive 3000 1/min, 50 Hz – speed between 1200 and 3600 1/min (20 - 60 Hz)							
Power range	75 kW	110 kW	132 kW	160 kW	200 kW	200 kW	250 kW

Smooth running high-speed grinder at a noise level under load < 90 dB (A)

Common application ■

ATEX category:
II 3 D

Pressure shock
resistance:
0.4 bar

STANDARD SUPPLY AND OPTIONS

STANDARD SCOPE OF SUPPLY:

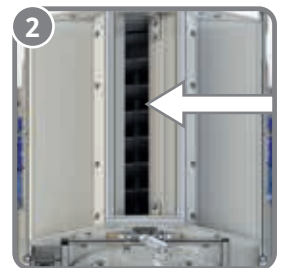
- Multi-layer coating: colour RAL 7032 (pebble grey) or RAL 9001 (cream)
- Pressure shock-resistant 0.4 bar and flame escape proof design
- Automatic door-locking system with stand still monitor
- Manually operated inlet flap with proximity switches
- Elastic pin coupling (N-Eupex) with protection hood
- Vibration dampers, height adjustable
- Sealing frame between the mill outlet and under hopper intake
- Electrical components pre-wired into terminal boxes
- Drive motor B3 with integrated PTC sensors
- 1 set of beaters fitted on rotor in the mill
- 2 sets of screens one set fitted in the mill
- 1 set of special tools

OPTIONS:

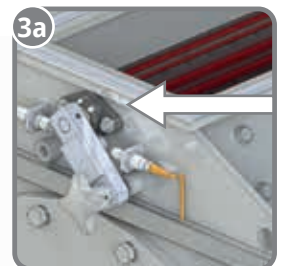
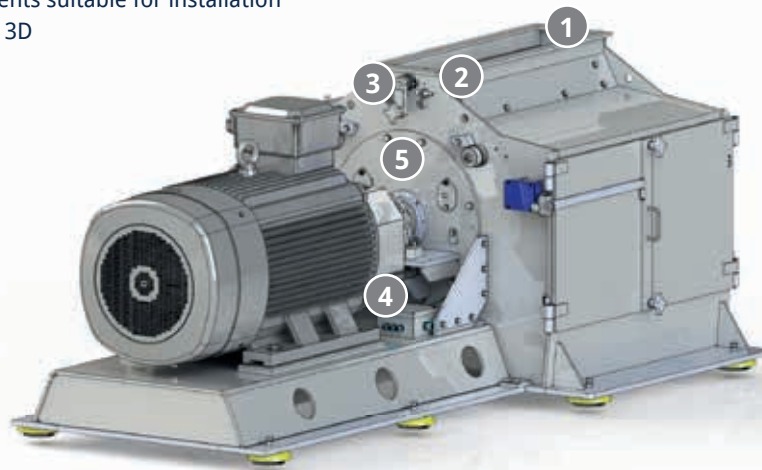
- Security package:
 - Bearing temperature monitoring
 - Milling chamber temperature monitor
 - Vacuum monitor for grinding chamber
- Pneumatic servo drive for mill inlet flap (for remote control of rotation direction change)
- Beater Quick-Change Device
- Electrical components suitable for installation in ATEX Zone 22 II 3D



Hardened impact plates



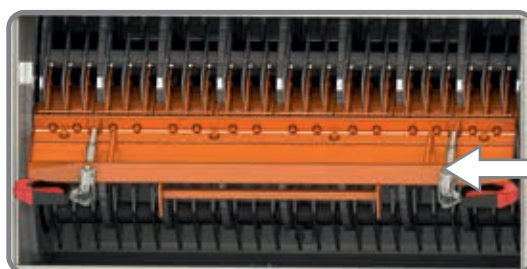
Inlet flap



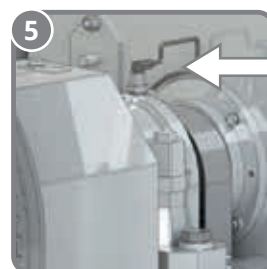
Manually operated inlet flap



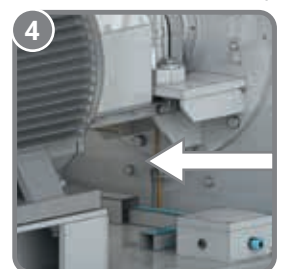
Pneumatically operated inlet flap



Beater Quick-Change Device



Bearing-temperature monitoring



Milling-chamber temperature monitor